

PARTS LIST

[KS-FX834R]

* All printed circuit boards and its assemblies are not available as service parts.

Area suffix

E ----- Continental Europe

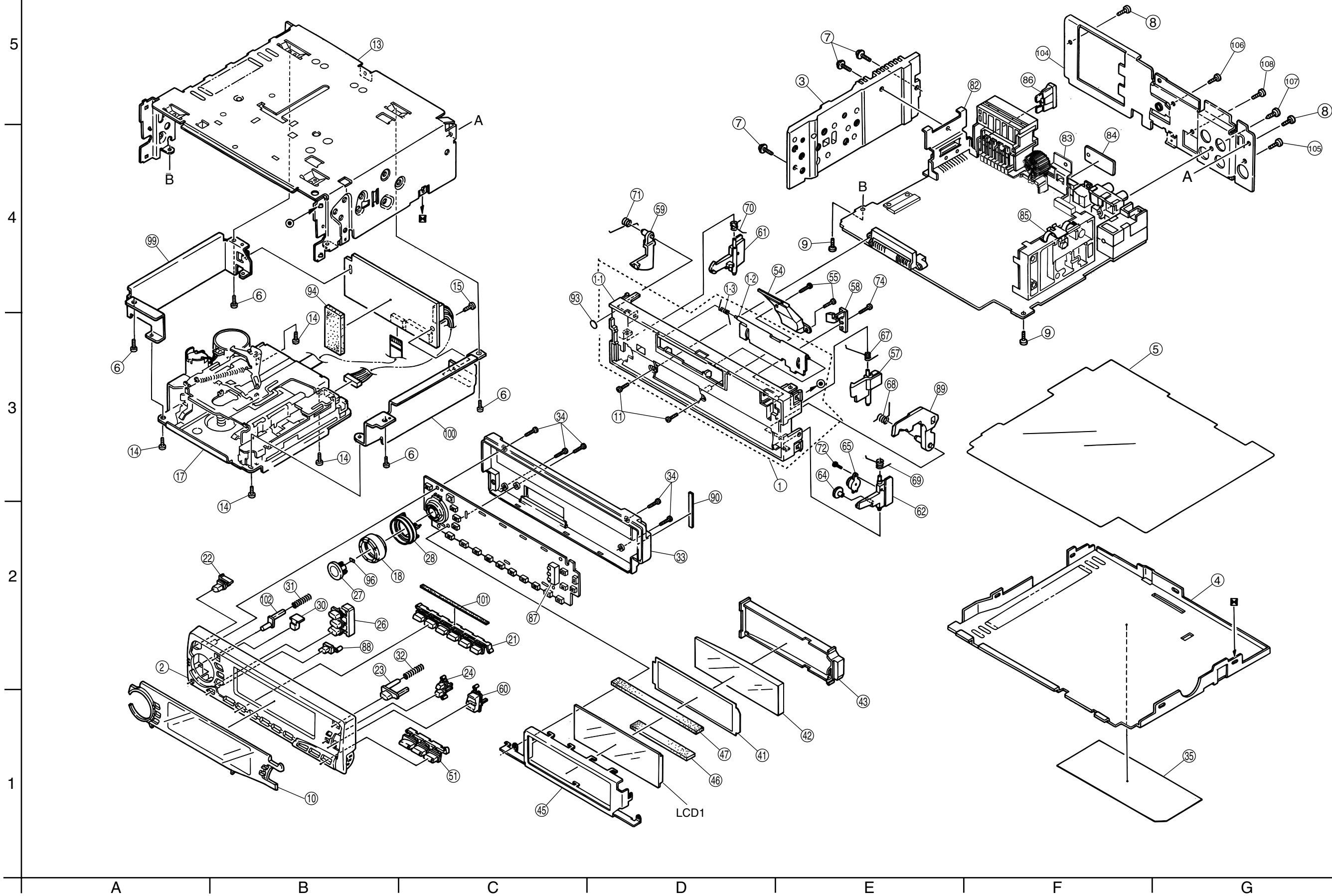
- Contents -

Exploded view of general assembly and parts list	3-3
Cassette mechanism assembly and parts list	3-5
Electrical parts list	3-10
Packing materials and accessories parts list	3-14

< MEMO >

Exploded view of general assembly and parts list

Block No. **M 1 M M**



■ Parts list (General assembly)

Block No. M1MM

△	Item	Parts number	Parts name	Q'ty	Description	Area
	1	ZCKSFX850R-FB	FRONT CHASSIS	1		
	1-1	FSJC1060-001	FRONT CHASSIS	1		
	1-2	FSJC3014-001	CASSETTE LID	1	NO PRINTING	
	1-3	VKW4947-002	DOOR SPRING	1		
	2	FSJC1058-001	FRONT PANEL	1		
	3	FSMH3001-202	SIDE PANEL	1		
	4	FSKM3011-002	BOTTOM COVER	1		
	5	FSMA3005-001	INSULATOR	1		
	6	QYSDST2604Z	SCREW	4	CHASSIS+MECHA.BKT	
	7	FSKZ4005-001	SCREW	3	CHASSIS+SIDE PAN	
	8	QYSDST2606Z	SCREW	2	CHASSIS+REAR BKT	
	9	QYSDST2606Z	SCREW	2	CHASSIS+MAIN PWB	
	10	FSJD3024-00K	FINDER ASS'Y	1		
	11	QYSDSF2006M	SCREW	2		
	13	FSJC1056-002	TOP CHASSIS	1		
	14	QYSDST2606Z	SCREW	4	MECHA+M.BRACKET	
	15	QYSDST2606Z	SCREW	1	SW.PCB+MECHA	
	17	-----	CDS-801 JV2	1		
	18	FSXK3003-005	VOL.KNOB	1	JOG DIAL	
	21	FSXP2045-002	PRESET BUTTON	1	1-6 LASER CUT	
	22	FSXP3053-002	POWER BUTTON	1		
	23	FSXP3058-001	EJECT BUTTON	1		
	24	FSXP3062-001	PUSH BUTTON(R)	1		
	26	FSXP2041-003	PUSH BUTTON(L)	1		
	27	FSXP3061-001	SEL BUTTON	1		
	28	FSJK3027-001	RIM LENS	1	FOR KNOB	
	30	FSJK4009-001	REMOTE LENS	1	FOR REMOTE CON.	
	31	VKW3001-330	COMP.SPRING	1	FOR EJECT BUTTON	
	32	VKW3001-330	COMP.SPRING	1	FOR DETACH BUTTON	
	33	FSJC1059-001	REAR COVER	1		
	34	VKZ4777-001	MINI SCREW	5	FRONT+REAR	
	35	FSYN3149-D005	NAMEPLATE	1		
	41	FSYH4061-004	LIGHTING SHFET	1		
	42	FSJK3028-001	LCD LENS	1		
	43	FSKS3013-001	LENS CASE	1		
	45	FSYH3024-001	LCD CASE	1		
	46	QNZ0450-001	RUBBER CONNE	1		
	47	QNZ0449-001	RUBBER CONNE	1		
	51	FSXP2038-001	D.FUNC BUTTON	1		
	54	VJK3707-001	LIGHT LENS	1		
	55	QYSPSGU1745N	MINI SCREW	2	FOR LIGHT LENS	
	57	VKS3793-001	LOCK LEVER(TOP)	1		
	58	FSKS3015-001	LOCK LEVER(O.L)	1		
	59	VKS3798-002	RELEASE LEVER	1		
	60	FSXP2043-001	UP DOWN BUTTON	1		
	61	VKS3794-003	LOCK LEVER(L)	1		
	62	VKS3795-002	LOCK LEVER(R)	1		
	64	VKS5563-001	GEAR	1		

■ Parts list (General assembly)

Block No. M1MM

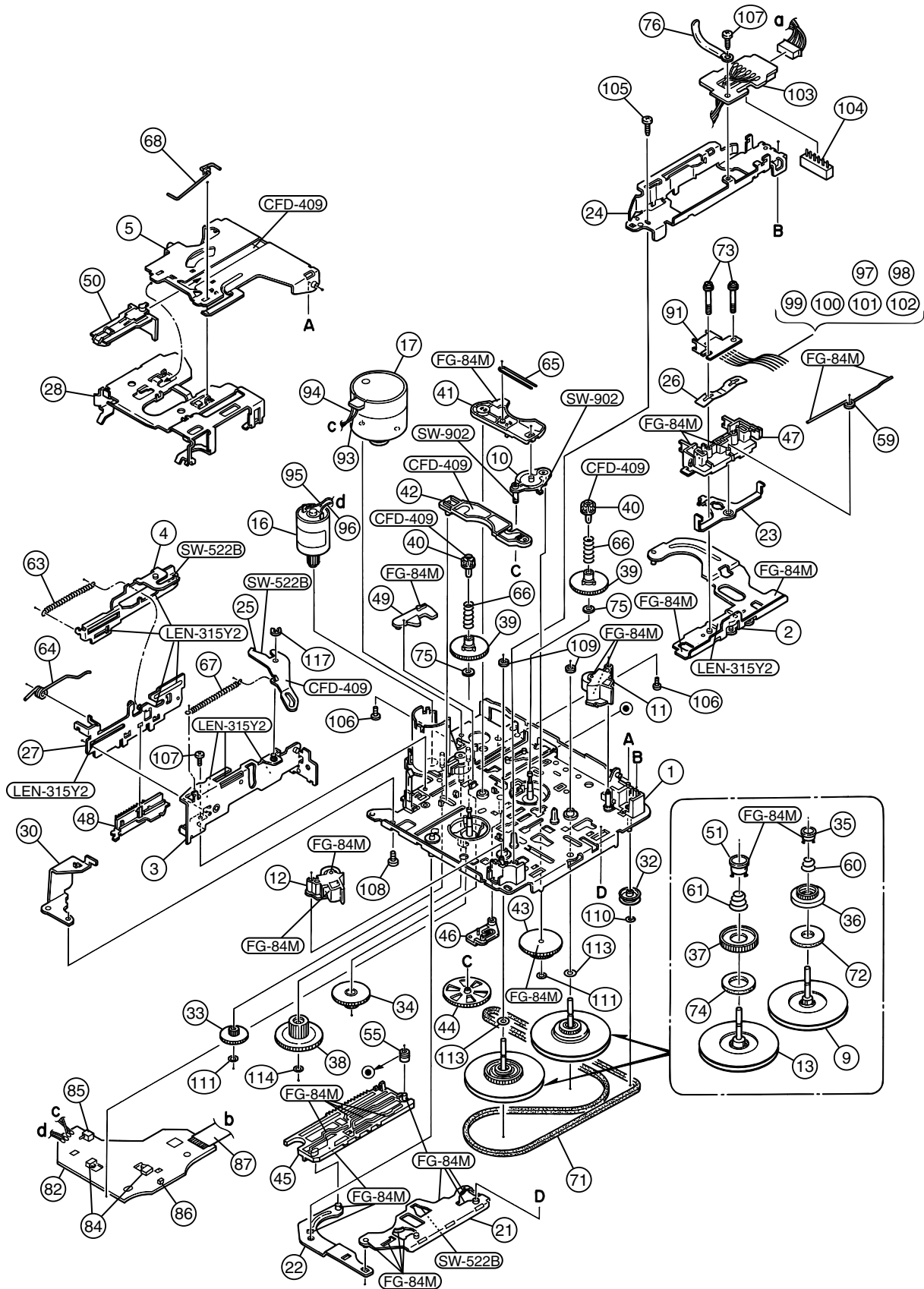
△	Item	Parts number	Parts name	Q'ty	Description	Area
	65	VKZ4786-002	OIL DAMPER	1		
	67	FSKW4012-002	T.SPRING	1	FOR L.LEVER(TOP)	
	68	FSKW4013-002	T.SPRING	1	FOR OPEN LEVER	
	69	VKW5262-001	T.SPRING	1	FOR L.LEVER(R)	
	70	VKW5263-002	T.SPRING	1	FOR L.LEVER(L)	
	71	VKW5264-005	T.SPRING	1	FOR RELEASE LEVE	
	72	QYSDSF2006M	SCREW	1	DAMPER+L.LEVER(R)	
	74	VKZ4777-001	MINI SCREW	1	LOCK LEVER(O.L.)	
	82	FSKL4018-00B	IC BRACKET	1		
	83	FSKL4023-001	REG.BRACKET	1		
	84	FSKL4014-001	HEAT SINK	1		
	85	VMA4652-001SS	EARTH PLATE	1		
△	86	QMFZ021-100-J1	FUSE	1		
	87	FSKS3017-002	LED HOLDER	1		
	88	FSXP4006-001	SCM BUTTON	1		
	89	FSKS3014-001	OPEN LEVER	1		
	90	FSYH4036-035	SHEET	1	SLIDING SHEET	
	93	FSYH4036-057	SHEET	1		
	94	FSYH4036-050	SPACER	1		
	96	FSYH4036-032	SHEET	1		
	99	FSKL2001-002	MECHA BRACKET(L)	1		
	LCD 1	QLD0124-001	LCD MODULE	1		
	100	FSKL2002-001	MECHA BRACKET(R)	1		
	101	FSYH4036-031	SHEET	1		
	102	FSXP3059-001	DETACH BUTTON	1		
	104	FSKM3012-011	REAR BRACKET	1		
	105	QYSDST2606Z	SCREW	1	REAR BKT+ANT JACK	
	106	QYSDST2606Z	SCREW	1	REAR BKT+REG BKT	
	107	QYSDSF3006Z	SCREW	1	REAR BKT+PIN JACK	
	108	QYSDST2606Z	SCREW	1	REAR BKT+CD IN JACK	

Cassette mechanism assembly and parts list

CDS-801

Block No.

M	2	M	M
---	---	---	---



Parts list(Cassette mechanism)

Block No. M2MM

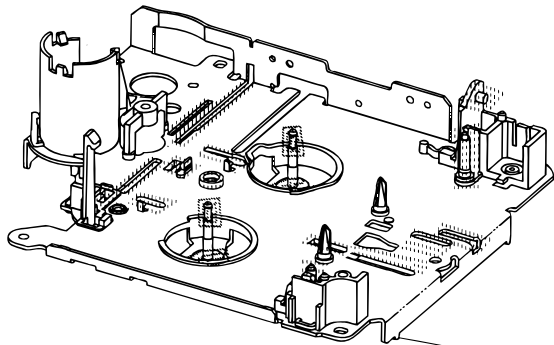
△	Item	Parts number	Parts name	Q'ty	Description	Area
	1	X-0801-1003S	MAIN CHASSIS AS	1		
	2	X-0801-1002S	SLIDE CHASSIS A	1		
	3	X-0801-1008S	SIDE BKT ASS'Y	1		
	4	X-0801-1010S	EJECT CAM LIMIT	1		
	5	X-0801-1013S	CASSETTE HANGER	1		
	9	1-0801-6002S	FLYWHEEL ASSY F	1		
	10	X-0801-2003S	GEAR BASE ASS'Y	1		
	11	X-0801-2021S	PINCH ARM F ASS	1		
	12	X-0801-2022S	PINCH ARM R ASS	1		
	13	1-0801-6003S	FLYWHEEL ASSY R	1		
	16	X-0801-7006S	SUB MOTOR ASS'Y	1		
	17	X-0801-7057S	MAIN MOTOR ASSY	1		
	21	1-0801-1003S	DIRECTION PLATE	1		
	22	1-0801-1004S	DIRECTION LINK	1		
	23	1-0801-1005S	PINCH SPG ARM	1		
	24	1-0801-1006S	CASSETTE GUIDE	1		
	25	1-0801-1007S	LOAD ARM	1		
	26	1-0801-1009S	HEAD SUPT SPG	1		
	27	1-0801-1011S	EJECT CAM PLATE	1		
	28	1-0801-1012S	CASSETTE HOLDER	1		
	30	1-0801-1020S	REINFORCE BRKT	1		
	32	1-0101-2056S	IDLE PULLEY(A1)	1		
	33	1-0801-2004S	REDUCTION GEARA	1		
	34	1-0801-2005S	REDUCTION GEARB	1		
	35	1-0801-2006S	SPG HOLDER F	1		
	36	1-0801-2007S	FRICTION GEARPL	1		
	37	1-0801-2008S	FRICTION GEARFF	1		
	38	1-0801-2009S	MODE GEAR	1		
	39	1-0801-2010S	REEL SPINDLE	2		
	40	1-0801-2011S	REEL DRIVER	2		
	41	1-0801-2014S	GEAR BASE ARM	1		
	42	1-0801-2015S	GEAR BASE LINK	1		
	43	1-0801-2016S	TAKE UP GEAR	1		
	44	1-0801-2017S	REFLECTOR GEAR	1		
	45	1-0801-2018S	MODE RACK	1		
	46	1-0801-2019S	MODE SW ACTUATR	1		
	47	1-0801-2020S	TAPE GUIDE	1		
	48	1-0801-2023S	LOAD RACK	1		
	49	1-0801-2024S	RACK LINK	1		
	50	1-0801-2025S	CASSETTE CATCH	1		
	51	1-0801-2030S	SPG HOLDER R	1		
	55	1-0801-3005S	RACK COLLAR	1		
	59	1-0801-4001S	PINCH ARM SPG	1		
	60	1-0801-4002S	TU SPG	1		
	61	1-0801-4003S	FF SPG	1		
	63	1-0801-4005S	EJECTCAM PLT SP	1		
	64	1-0801-4006S	HOLDER CUSH SPG	1		
	65	1-0801-4007S	GEAR BASE SPG	1		

Parts list(Cassette mechanism)

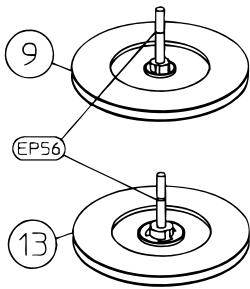
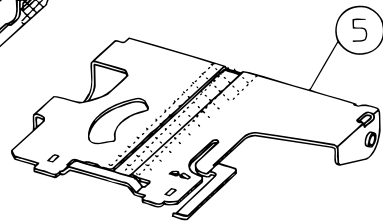
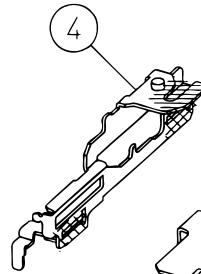
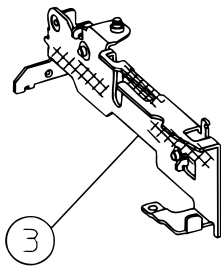
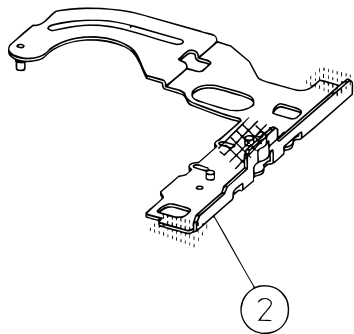
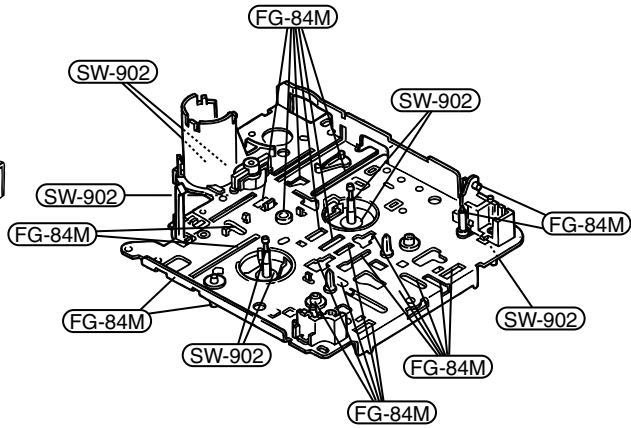
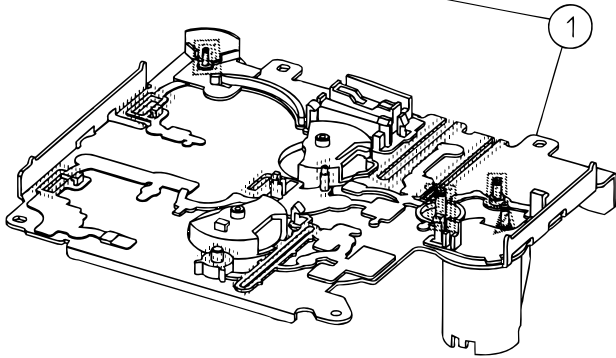
Block No. M2MM

△	Item	Parts number	Parts name	Q'ty	Description	Area
	66	1-0801-4008S	REEL DRIVER SPG	2		
	67	1-0801-4009S	LOAD ARM SPG	1		
	68	1-0801-4011S	HOLDER STAB SPG	1		
	71	1-0801-5001S	BELT	1		
	72	1-0801-5002S	FELT	1	7.5*18.5*1.0	
	73	1-0801-5003S	AZIMUTH SCR	2		
	74	1-0801-5004S	FELT	1	11*18.5*1.0	
	75	1-0801-5005S	REEL WASHER	2		
	76	21732-6280-36S	LUG PLATE	1		
	82	1-0801-7001S	REEL PCB DL	1		
	84	1-0801-7003S	SW(MATSUSHITA)	2	(ESE22MH2L)	
	85	1-0801-7005S	SW	1	(ALPS SPPB64)	
	86	1-0801-7024S	PHOTO SENSOR	1	(ON2170-QR FS)	
	87	1-0801-7026S	FLAT CABLE 10P	1		
	91	1-0801-7014S	HEAD	1	(MITSUMIP-5544)	
	93	10801-7009-0S	M.MOTOR WIRE	1	BLACK	
	94	10801-7009-1S	M.MOTOR WIRE	1	RED	
	95	10801-7010-0S	S.MOTOR WIRE	1	ORANGE	
	96	10801-7010-1S	S.MOTOR WIRE	1	BROWN	
	97	10801-7015-0S	HEAD WIRE BLACK	1		
	98	10801-7015-1S	HEAD WIRE BROWN	1		
	99	10801-7015-2S	HEAD WIRE RED	1		
	100	10801-7015-3S	HEAD WIRE ORANG	1		
	101	10801-7015-4S	HEAD WIRE YELLO	1		
	102	10801-7015-5S	HEAD WIRE WHITE	1		
	103	1-0801-7016S	HEAD PCB	1		
	104	1-0801-7025S	CONN S6B-PH-K-S	1		
	105	21382-3060-C2S	+PLAIN B-TYPE	1	M2.3*6.0	
	106	2-1032-0025-C2S	+SCREW PLAIN	2	M2*2.5	
	107	21332-0035-P1S	S-TYPE PRECISIO	2	M2*3.5	
	108	21112-6035-C2S	+SCREW PLAIN	1	M2.6*3.5	
	109	2-1816-0032-E8S	LMW-S	2	1.6*3.2*0.35	
	110	21812-0032-D2S	PSW-S	1	1.2*3.2*0.25	
	111	1-0036-5024S	PSW-S(REEL B)	2	1.5*3.2*0.25	
	113	2-1821-0040-D1S	PSW	2	2.1*4.0*0.25	
	114	21821-0040-D2S	PSW-S	1	2.1*4.0*0.25	
	117	2-1711-5040-16S	E-RING	1	1.5	

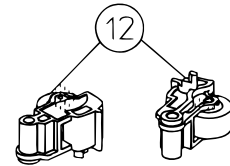
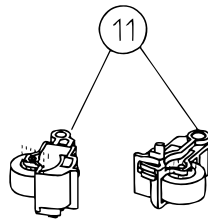
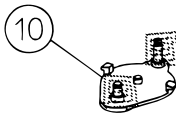
Grease point 1/2



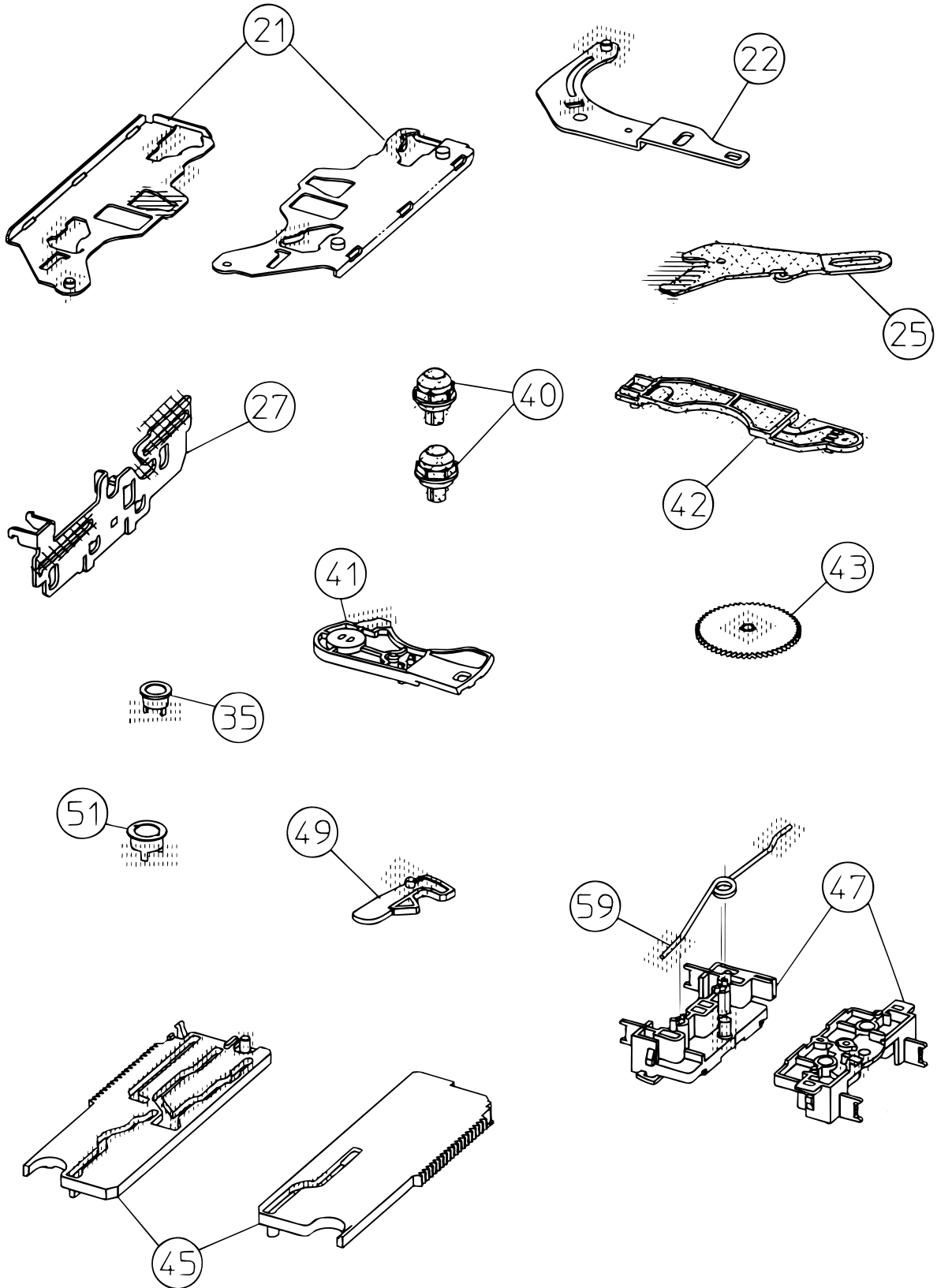
	SW-902
	SW-522B
	FG-84M
	CFD-409
	LEN-315Y2



EP56



Grease point 2/2



■ Electrical parts list (Main board)

Block No. 01

△	Item	Parts number	Parts name	Remarks	Area
	C 1	QERF1CM-107Z	E.CAPACITOR	100MF 20% 16V	
	C 2	NDC21HJ-470X	C.CAPACITOR		
	C 3	NCB21EK-473X	C.CAPACITOR		
	C 4	NCB21EK-104X	C.CAPACITOR		
	C 5	QEKJ1HM-105Z	E.CAPACITOR	1MF 20% 50V	
	C 6	QEKJ1HM-105Z	E.CAPACITOR	1MF 20% 50V	
	C 7	QEKJ1HM-104Z	E.CAPACITOR	0.1MF 20% 50V	
	C 8	NDC21HJ-470X	C.CAPACITOR		
	C 9	QERF1AM-227Z	E.CAPACITOR	220MF 20% 10V	
	C 31	NCB21EK-123X	C.CAPACITOR		
	C 32	NCB21EK-563X	C.CAPACITOR		
	C 33	NDC21HJ-151X	C.CAPACITOR		
	C 41	NCB21HK-102X	C.CAPACITOR		
	C 42	QEQF1HM-225Z	E.CAPACITOR	2.2MF 20% 50V	
	C 43	QEKJ1HM-474Z	E.CAPACITOR	0.47MF 20% 50V	
	C 51	NDC21HJ-331X	C.CAPACITOR		
	C 52	NCB21EK-103X	C.CAPACITOR		
	C 53	NCB21HK-472X	C.CAPACITOR		
	C 54	NCB21EK-104X	C.CAPACITOR		
	C 55	QERF1HM-474Z	E.CAPACITOR	0.47MF 20% 50V	
	C 71	NCB21EK-223X	C.CAPACITOR		
	C 72	NCB21HK-561X	C.CAPACITOR		
	C 73	QERF1HM-225Z	E.CAPACITOR	2.2MF 20% 50V	
	C 74	NDC21HJ-820X	C.CAPACITOR		
	C 75	NDC21HJ-470X	C.CAPACITOR		
	C 76	NCB21HK-103X	C.CAPACITOR		
	C 77	QERF1CM-476Z	E.CAPACITOR	47MF 20% 16V	
	C 81	NCB21EK-183X	C.CAPACITOR		
	C 82	NCB21HK-183X	C.CAPACITOR		
	C 161	QERF1HM-225Z	E.CAPACITOR	2.2MF 20% 50V	
	C 162	QERF1HM-105Z	E.CAPACITOR	1MF 20% 50V	
	C 163	QERF1HM-105Z	E.CAPACITOR	1MF 20% 50V	
	C 164	QERF1HM-105Z	E.CAPACITOR	1MF 20% 50V	
	C 165	QERF1HM-105Z	E.CAPACITOR	1MF 20% 50V	
	C 166	QERF1HM-225Z	E.CAPACITOR	2.2MF 20% 50V	
	C 167	QERF1CM-476Z	E.CAPACITOR	47MF 20% 16V	
	C 168	QERF1CM-107Z	E.CAPACITOR	100MF 20% 16V	
	C 169	NCB21HK-822X	C.CAPACITOR		
	C 170	NCB21CK-154X	C.CAPACITOR		
	C 171	NCB21CK-224X	C.CAPACITOR		
	C 172	NCB21HK-822X	C.CAPACITOR		
	C 173	NCB21CK-154X	C.CAPACITOR		
	C 174	NCB21CK-224X	C.CAPACITOR		
	C 175	NCB21EK-333X	C.CAPACITOR		
	C 176	NCB21EK-333X	C.CAPACITOR		
	C 177	NCB21HK-562X	C.CAPACITOR		
	C 178	NCB21HK-562X	C.CAPACITOR		
	C 180	QERF1CM-107Z	E.CAPACITOR	100MF 20% 16V	
	C 181	QERF1HM-225Z	E.CAPACITOR	2.2MF 20% 50V	
	C 182	QERF1HM-225Z	E.CAPACITOR	2.2MF 20% 50V	
	C 183	QERF1HM-225Z	E.CAPACITOR	2.2MF 20% 50V	
	C 184	QERF1HM-225Z	E.CAPACITOR	2.2MF 20% 50V	
	C 241	QERF1HM-105Z	E.CAPACITOR	1MF 20% 50V	
	C 242	QERF1CM-226Z	E.CAPACITOR	22MF 20% 16V	
	C 243	NCB21EK-473X	C.CAPACITOR		
	C 244	QERF1HM-224Z	E.CAPACITOR	0.22MF 20% 50V	
	C 301	QERF1CM-106Z	E.CAPACITOR	10MF 20% 16V	
	C 302	QERF1CM-106Z	E.CAPACITOR	10MF 20% 16V	
	C 303	NCS21HJ-471X	C.CAPACITOR		
	C 304	NCS21HJ-471X	C.CAPACITOR		
	C 305	NCB21EK-104X	C.CAPACITOR		
	C 306	NCB21EK-104X	C.CAPACITOR		
	C 307	QERF1HM-475Z	E.CAPACITOR	4.7MF 20% 50V	

△	Item	Parts number	Parts name	Remarks	Area
	C 308	QERF1HM-225Z	E.CAPACITOR	2.2MF 20% 50V	
	C 309	QERF1HM-225Z	E.CAPACITOR	2.2MF 20% 50V	
	C 313	NCS21HJ-471X	C.CAPACITOR		
	C 314	NCS21HJ-471X	C.CAPACITOR		
	C 315	NCB21EK-104X	C.CAPACITOR		
	C 318	QERF1HM-225Z	E.CAPACITOR	2.2MF 20% 50V	
	C 319	QERF1HM-225Z	E.CAPACITOR	2.2MF 20% 50V	
	C 701	NCB21HK-102X	C.CAPACITOR		
	C 702	NCB21EK-104X	C.CAPACITOR		
	C 703	QERF1AM-227Z	E.CAPACITOR	220MF 20% 10V	
	C 704	QERF0JM-107Z	E.CAPACITOR	100MF 20% 6.3V	
	C 705	NCB21EK-104X	C.CAPACITOR		
	C 706	NDC21HJ-270X	C.CAPACITOR		
	C 707	NDC21HJ-270X	C.CAPACITOR		
	C 708	NCB21EK-104X	C.CAPACITOR		
	C 709	NCB21EK-104X	C.CAPACITOR		
	C 712	NCB21EK-473X	C.CAPACITOR		
	C 713	NCB21HK-102X	C.CAPACITOR		
	C 714	NCB21HK-331X	C.CAPACITOR		
	C 781	QERF1CM-107Z	E.CAPACITOR	100MF 20% 16V	
	C 782	QERF1AM-227Z	E.CAPACITOR	220MF 20% 10V	
	C 801	NCB21EK-473X	C.CAPACITOR		
	C 891	NCB21EK-104X	C.CAPACITOR		
	C 901	QERF1CM-106Z	E.CAPACITOR	10MF 20% 16V	
	C 902	NCB21EK-473X	C.CAPACITOR		
	C 903	QETB1CM-228	E.CAPACITOR	2200MF 20% 16V	
	C 904	NCB21EK-473X	C.CAPACITOR		
	C 905	QEKJ1HM-104Z	E.CAPACITOR	0.1MF 20% 50V	
	C 906	QEKJ1CM-107Z	E.CAPACITOR	100MF 20% 16V	
	C 907	QERF1HM-105Z	E.CAPACITOR	1MF 20% 50V	
	C 908	QERF1AM-227Z	E.CAPACITOR	220MF 20% 10V	
	C 909	QETNOJM-228Z	E.CAPACITOR	2200MF 20% 6.3V	
	C 911	NCS21HJ-151X	C.CAPACITOR		
	C 981	NCB21EK-104X	C.CAPACITOR		
	C 982	QERF1CM-106Z	E.CAPACITOR	10MF 20% 16V	
	CJ601	QNZ0007-002	CAR CONNECTOR		
	CP401	QGB1214J1-18S	CONNECTOR		
	CP901	QNZ0112-001	CAR CONNECTOR		
	D 2	MA152WK-X	SI DIODE		
	D 3	MA152WK-X	SI DIODE		
	D 4	MA152WK-X	SI DIODE		
	D 5	1SS133-T2	SI DIODE		
	D 6	1SS133-T2	SI DIODE		
	D 161	MA152WK-X	SI DIODE		
	D 241	MA152WA-X	DIODE		
	D 242	MA152WA-X	DIODE		
	D 321	MA152WA-X	DIODE		
	D 322	MA152WA-X	DIODE		
	D 702	MA3056/M/-X	ZENER DIODE		
	D 703	MA3056/M/-X	ZENER DIODE		
	D 704	MA3056/M/-X	ZENER DIODE		
	D 705	MA3056/M/-X	ZENER DIODE		
	D 706	MA3056/M/-X	ZENER DIODE		
	D 707	MA3056/M/-X	ZENER DIODE		
	D 708	MA3056/M/-X	ZENER DIODE		
	D 709	MA3056/M/-X	ZENER DIODE		
	D 781	MTZJ11C-T2	ZENER DIODE		
	D 782	MA152WA-X	DIODE		
	D 783	MA152WA-X	DIODE		
	D 891	MA152WA-X	DIODE		
	D 901	1N5401-TU-15	DIODE		
	D 902	MA152WA-X	DIODE		

■ Electrical parts list (Main board)

Block No. 01

▲	Item	Parts number	Parts name	Remarks	Area	▲	Item	Parts number	Parts name	Remarks	Area
	D 981	CRS03-W	SB DIODE				R 34	NRSA02J-102X	MG RESISTOR		
	D 982	CRS03-W	SB DIODE				R 41	NRSA02J-152X	MG RESISTOR		
	IC 71	SAA6579T-X	IC				R 42	NRSA02J-102X	MG RESISTOR		
	IC161	TEA6320T-X	IC				R 43	NRSA02J-103X	MG RESISTOR		
	IC301	HA13158A	IC				R 44	NRS181J-102X	MG RESISTOR		
	IC701	UPD178018AGC551	IC				R 53	NRSA02J-473X	MG RESISTOR		
	IC801	HD74HC126FP-X	IC				R 54	NRSA02J-473X	MG RESISTOR		
	IC901	BA4905-V3	IC				R 55	NRSA02J-103X	MG RESISTOR		
	J 1	QNZ0009-001	CAR ANT JACK				R 56	NRSA02J-222X	MG RESISTOR		
	J 321	QNN0175-001	PIN JACK				R 57	NRSA02J-103X	MG RESISTOR		
	J 801	QNZ0095-001	CONNECTOR				R 58	NRSA02J-153X	MG RESISTOR		
	L 1	QQL231K-4R7Y	INDUCTOR				R 59	NRSA02J-471X	MG RESISTOR		
	L 901	QQR0703-001	CHOKE COIL				R 60	NRSA02J-473X	MG RESISTOR		
	L 902	QQL231K-470Y	INDUCTOR				R 71	NRS181J-222X	MG RESISTOR		
	L 903	QQL231K-470Y	INDUCTOR				R 72	NRSA02J-222X	MG RESISTOR		
	PL701	QLL0033-001	LAMP				R 73	NRSA02J-222X	MG RESISTOR		
	Q 1	DTC114EKA-X	TRANSISTOR				R 81	NRSA02J-103X	MG RESISTOR		
	Q 2	2SA1037AK/RS/-X	TRANSISTOR				R 82	NRSA02J-103X	MG RESISTOR		
	Q 3	2SA1037AK/RS/-X	TRANSISTOR				R 83	NRSA02J-223X	MG RESISTOR		
	Q 4	DTA114EKA-X	TRANSISTOR				R 84	NRSA02J-223X	MG RESISTOR		
	Q 5	DTA114EKA-X	TRANSISTOR				R 161	NRSA02J-0R0X	MG RESISTOR		
	Q 6	2SC2412K/R/-X	TRANSISTOR				R 162	NRS181J-0R0X	MG RESISTOR		
	Q 7	2SC2412K/R/-X	TRANSISTOR				R 165	NRSA02J-223X	MG RESISTOR		
	Q 8	2SC2412K/R/-X	TRANSISTOR				R 166	NRSA02J-222X	MG RESISTOR		
	Q 9	DTC114EKA-X	TRANSISTOR				R 167	NRSA02J-223X	MG RESISTOR		
	Q 10	DTA114EKA-X	TRANSISTOR				R 168	NRSA02J-222X	MG RESISTOR		
	Q 31	2SC3661-X	TRANSISTOR				R 169	NRSA02J-224X	MG RESISTOR		
	Q 32	2SC3661-X	TRANSISTOR				R 170	NRSA02J-224X	MG RESISTOR		
	Q 41	2SC2412K/R/-X	TRANSISTOR				R 171	NRS181J-100X	MG RESISTOR		
	Q 42	2SC2412K/R/-X	TRANSISTOR				R 172	NRSA02J-271X	MG RESISTOR		
	Q 51	2SC2412K/R/-X	TRANSISTOR				R 173	NRSA02J-271X	MG RESISTOR		
	Q 52	2SC2412K/R/-X	TRANSISTOR				R 241	NRSA02J-473X	MG RESISTOR		
	Q 53	DTC114EKA-X	TRANSISTOR				R 242	NRS181J-184X	MG RESISTOR		
	Q 241	2SD601A/R/-X	TRANSISTOR				R 243	NRS181J-123X	MG RESISTOR		
	Q 321	2SD1048/6-7/-X	TRANSISTOR				R 244	NRSA02J-223X	MG RESISTOR		
	Q 331	2SD1048/6-7/-X	TRANSISTOR				R 245	NRSA02J-101X	MG RESISTOR		
	Q 341	2SD1048/6-7/-X	TRANSISTOR				R 246	NRSA02J-102X	MG RESISTOR		
	Q 351	2SD1048/6-7/-X	TRANSISTOR				R 247	NRSA02J-274X	MG RESISTOR		
	Q 701	2SC2412K/R/-X	TRANSISTOR				R 301	NRSA02J-273X	MG RESISTOR		
	Q 781	DTA114EKA-X	TRANSISTOR				R 302	NRSA02J-273X	MG RESISTOR		
	Q 782	DTA114EKA-X	TRANSISTOR				R 303	NRSA02J-823X	MG RESISTOR		
	Q 784	DTC114EKA-X	TRANSISTOR				R 304	NRS181J-823X	MG RESISTOR		
	Q 891	UN2211-X	TRANSISTOR				R 305	NRSA02J-472X	MG RESISTOR		
	Q 901	DTC114EKA-X	TRANSISTOR				R 306	NRSA02J-473X	MG RESISTOR		
	Q 902	2SA1706/ST-T	TRANSISTOR				R 307	NRS181J-473X	MG RESISTOR		
	Q 903	DTC114EKA-X	TRANSISTOR				R 308	NRSA02J-473X	MG RESISTOR		
	Q 904	2SA1037AK/RS/-X	TRANSISTOR				R 309	NRSA02J-473X	MG RESISTOR		
	Q 976	UN2211-X	TRANSISTOR				R 311	NRSA02J-273X	MG RESISTOR		
	Q 977	2SA1037AK/RS/-X	TRANSISTOR				R 312	NRSA02J-273X	MG RESISTOR		
	R 1	NRS181J-330X	MG RESISTOR				R 313	NRSA02J-823X	MG RESISTOR		
	R 2	NRSA02J-472X	MG RESISTOR				R 314	NRSA02J-823X	MG RESISTOR		
	R 3	NRSA02J-473X	MG RESISTOR				R 321	NRS181J-101X	MG RESISTOR		
	R 4	NRSA02J-332X	MG RESISTOR				R 322	NRSA02J-102X	MG RESISTOR		
	R 5	NRSA02J-473X	MG RESISTOR				R 323	NRS181J-222X	MG RESISTOR		
	R 6	NRS181J-8R2X	MG RESISTOR				R 331	NRSA02J-101X	MG RESISTOR		
	R 8	NRSA02J-472X	MG RESISTOR				R 332	NRSA02J-102X	MG RESISTOR		
	R 9	NRSA02J-472X	MG RESISTOR				R 333	NRS181J-222X	MG RESISTOR		
	R 10	NRSA02J-472X	MG RESISTOR				R 341	NRSA02J-101X	MG RESISTOR		
	R 11	NRS181J-223X	MG RESISTOR				R 342	NRSA02J-102X	MG RESISTOR		
	R 12	NRSA02J-0R0X	MG RESISTOR				R 343	NRSA02J-222X	MG RESISTOR		
	R 31	NRSA02J-102X	MG RESISTOR				R 351	NRS181J-101X	MG RESISTOR		
	R 32	NRSA02J-392X	MG RESISTOR				R 352	NRSA02J-102X	MG RESISTOR		
	R 33	NRSA02J-102X	MG RESISTOR				R 353	NRSA02J-222X	MG RESISTOR		

■ Electrical parts list (Main board)

Block No. 01

△	Item	Parts number	Parts name	Remarks	Area
	R 701	NRSA02J-271X	MG RESISTOR		
	R 702	NRSA02J-271X	MG RESISTOR		
	R 703	NRSA02J-271X	MG RESISTOR		
	R 704	NRSA02J-103X	MG RESISTOR		
	R 705	NRSA02J-103X	MG RESISTOR		
	R 706	NRSA02J-103X	MG RESISTOR		
	R 707	NRSA02J-472X	MG RESISTOR		
	R 708	NRSA02J-472X	MG RESISTOR		
	R 711	NRS181J-473X	MG RESISTOR		
	R 712	NRSA02J-473X	MG RESISTOR		
	R 713	NRSA02J-103X	MG RESISTOR		
	R 714	QRE141J-472Y	C.RESISTOR	4.7K 5% 1/4W	
	R 715	NRSA02J-472X	MG RESISTOR		
	R 716	NRS181J-472X	MG RESISTOR		
	R 717	NRSA02J-472X	MG RESISTOR		
	R 718	NRSA02J-103X	MG RESISTOR		
	R 719	NRSA02J-103X	MG RESISTOR		
	R 720	NRSA02J-103X	MG RESISTOR		
	R 721	NRS181J-103X	MG RESISTOR		
	R 722	NRSA02J-103X	MG RESISTOR		
	R 723	NRSA02J-472X	MG RESISTOR		
	R 724	NRSA02J-472X	MG RESISTOR		
	R 725	NRSA02J-472X	MG RESISTOR		
	R 726	NRSA02J-472X	MG RESISTOR		
	R 727	NRSA02J-472X	MG RESISTOR		
	R 728	NRSA02J-472X	MG RESISTOR		
	R 729	NRSA02J-473X	MG RESISTOR		
	R 730	NRSA02J-391X	MG RESISTOR		
	R 731	NRSA02J-103X	MG RESISTOR		
	R 732	NRSA02J-473X	MG RESISTOR		
	R 733	NRS181J-473X	MG RESISTOR		
	R 735	NRS181J-473X	MG RESISTOR		
	R 738	NRSA02J-473X	MG RESISTOR		
	R 739	NRSA02J-104X	MG RESISTOR		
	R 740	NRSA02J-473X	MG RESISTOR		
	R 742	NRS181J-563X	MG RESISTOR		
	R 743	NRSA02J-473X	MG RESISTOR		
	R 745	NRSA02J-473X	MG RESISTOR		
	R 747	NRSA02J-473X	MG RESISTOR		
	R 748	NRS181J-243X	MG RESISTOR		
	R 781	NRSA02J-102X	MG RESISTOR		
	R 782	NRSA02J-273X	MG RESISTOR		
	R 801	NRSA02J-104X	MG RESISTOR		
	R 802	NRSA02J-334X	MG RESISTOR		
	R 803	NRSA02J-101X	MG RESISTOR		
	R 804	NRSA02J-223X	MG RESISTOR		
	R 805	NRSA02J-104X	MG RESISTOR		
	R 806	NRSA02J-103X	MG RESISTOR		
	R 807	NRSA02J-104X	MG RESISTOR		
	R 808	NRSA02J-104X	MG RESISTOR		
	R 809	NRSA02J-101X	MG RESISTOR		
	R 810	NRSA02J-334X	MG RESISTOR		
	R 891	NRSA02J-473X	MG RESISTOR		
	R 892	NRSA02J-102X	MG RESISTOR		
	R 901	QRE141J-470Y	C.RESISTOR	47 5% 1/4W	
	R 902	NRS181J-103X	MG RESISTOR		
	R 903	NRS181J-472X	MG RESISTOR		
	R 904	NRS181J-183X	MG RESISTOR		
	R 905	NRS181J-103X	MG RESISTOR		
	R 906	NRS181J-102X	MG RESISTOR		
	R 907	NRS181J-473X	MG RESISTOR		
	R 908	NRSA02J-222X	MG RESISTOR		
	R 909	NRSA02J-473X	MG RESISTOR		

△	Item	Parts number	Parts name	Remarks	Area
	R 976	NRSA02J-104X	MG RESISTOR		
	R 977	NRSA02J-273X	MG RESISTOR		
	R 978	NRS181J-123X	MG RESISTOR		
	S 701	QSW0451-001	DETECT SWITCH		
	S 702	QSW0451-001	DETECT SWITCH		
	TU 1	QAU0156-002	TUNER		
	X 71	QAX0263-001Z	CRYSTAL		
	X 701	QAX0406-002Z	CRYSTAL		

■ Electrical parts list (Mecha control board) Block No. 02

△	Item	Parts number	Parts name	Remarks	Area
	C 401	NDC21HJ-101X	C.CAPACITOR		
	C 402	NDC21HJ-101X	C.CAPACITOR		
	C 403	NDC21HJ-101X	C.CAPACITOR		
	C 404	NDC21HJ-101X	C.CAPACITOR		
	C 405	NDC21HJ-101X	C.CAPACITOR		
	C 406	NDC21HJ-101X	C.CAPACITOR		
	C 407	NDC21HJ-101X	C.CAPACITOR		
	C 408	NDC21HJ-101X	C.CAPACITOR		
	C 409	QEKJ1CM-226Z	E.CAPACITOR	22MF 20% 16V	
	C 410	QFV61HJ-153Z	MF CAPACITOR	0.015MF 5% 50V	
	C 411	QFV61HJ-153Z	MF CAPACITOR	0.015MF 5% 50V	
	C 412	NCB21EK-104X	C.CAPACITOR		
	C 413	NCB21EK-104X	C.CAPACITOR		
	C 414	QEKJ1CM-226Z	E.CAPACITOR	22MF 20% 16V	
	C 416	QFV61HJ-104Z	MF CAPACITOR	DOLBY	
	C 417	QFV61HJ-104Z	MF CAPACITOR	DOLBY	
	C 418	NDC21HJ-221X	C.CAPACITOR		
	C 419	QEKJ1HM-474Z	E.CAPACITOR	0.47MF 20% 50V	
	C 421	NCB21HK-103X	C.CAPACITOR		
	C 422	NCB21EK-104X	C.CAPACITOR		
	C 423	QERF1CM-106Z	E.CAPACITOR	10MF 20% 16V	
	C 424	NCB21EK-104X	C.CAPACITOR		
	C 425	NCB21HK-103X	C.CAPACITOR		
	CN401	QGB1214K1-18S	CONNECTOR		
	CN402	VMP3501-001	CONNECTOR		
	CN403	QGF1219F1-10S	CONNECTOR		
	D 401	MA3047/H/-X	ZENER DIODE		
	D 402	DSK10C-T1	DIODE		
	IC401	CXA2560Q	IC		
	IC402	LB1641	IC		
	Q 402	DTC114EKA-X	TRANSISTOR		
	Q 403	2SB1322/RS/-T	TRANSISTOR		
	R 401	NRS181J-391X	MG RESISTOR		
	R 402	NRSA02J-104X	MG RESISTOR		
	R 403	NRSA02J-104X	MG RESISTOR		
	R 404	NRSA02J-104X	MG RESISTOR		
	R 405	NRSA02J-104X	MG RESISTOR		
	R 406	NRSA02J-181X	MG RESISTOR		
	R 407	NRSA02J-181X	MG RESISTOR		
	R 412	NRSA02J-101X	MG RESISTOR		
	R 413	NRSA02J-183X	MG RESISTOR		
	R 414	NRSA02J-392X	MG RESISTOR		
	R 415	NRSA02J-223X	MG RESISTOR		
	R 416	NRSA02J-125X	MG RESISTOR		
	R 417	NRSA02J-103X	MG RESISTOR		
	R 418	NRSA02J-153X	MG RESISTOR		
	R 422	NRSA02J-332X	MG RESISTOR		
	R 423	NRS181J-473X	MG RESISTOR		
	R 424	NRSA02J-332X	MG RESISTOR		
	R 425	NRS181J-330X	MG RESISTOR		
	VR401	QVP0009-333Z	SEMI V RESISTOR	DOLBY	
	VR402	QVP0009-333Z	SEMI V RESISTOR	DOLBY	

■ Electrical parts list (Front board)

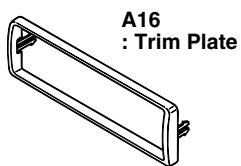
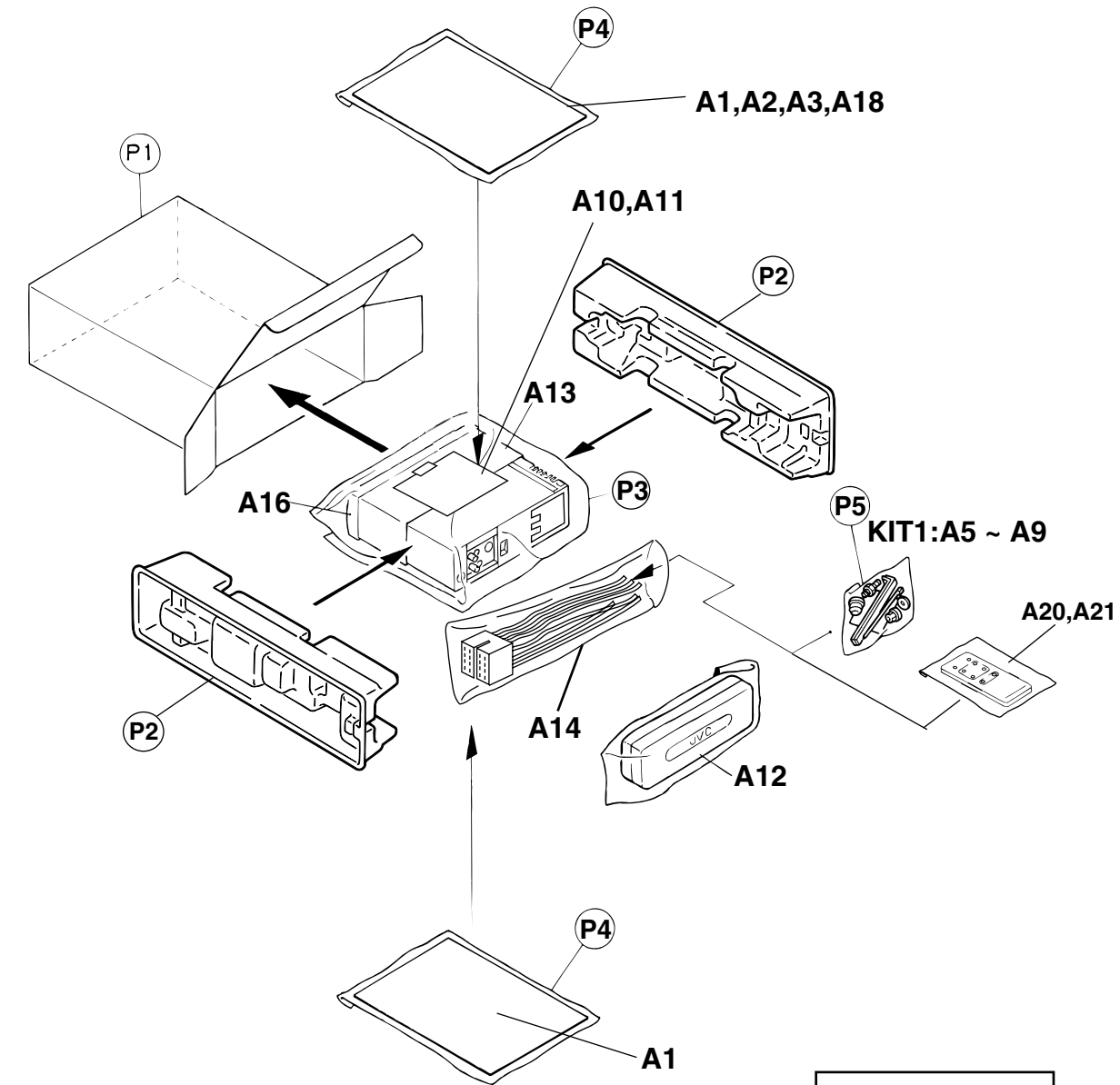
Block No. 03

△	Item	Parts number	Parts name	Remarks	Area	△	Item	Parts number	Parts name	Remarks	Area
	C 601	NBE20JM-475X	TS E CAPACITOR				R 620	NRS181J-561X	MG RESISTOR		
	C 602	NCB21HK-103X	C.CAPACITOR				R 621	NRS181J-271X	MG RESISTOR		
	C 603	NCS21HJ-221X	C.CAPACITOR				R 622	NRS181J-271X	MG RESISTOR		
	C 604	NCB21CK-224X	C.CAPACITOR				R 623	NRS181J-271X	MG RESISTOR		
	C 605	NCB21CK-224X	C.CAPACITOR				R 624	NRS181J-271X	MG RESISTOR		
	C 606	NBE20JM-475X	TS E CAPACITOR				R 625	NRS181J-431X	MG RESISTOR		
	CN601	QNZ0006-001	CAR CONNECTOR				R 626	NRS181J-271X	MG RESISTOR		
	D 601	SML-310LT/MN/-X	LED				R 627	NRS181J-271X	MG RESISTOR		
	D 602	SML-310VT/JK/-X	LED				R 628	NRS181J-561X	MG RESISTOR		
	D 603	SML-310VT/JK/-X	LED				R 629	NRS181J-561X	MG RESISTOR		
	D 604	SML-310VT/JK/-X	LED				R 630	NRS181J-271X	MG RESISTOR		
	D 605	SML-310VT/JK/-X	LED				R 641	NRS181J-102X	MG RESISTOR		
	D 606	SML-310VT/JK/-X	LED				R 642	NRS181J-102X	MG RESISTOR		
	D 607	SML-310VT/JK/-X	LED				R 643	NRS181J-102X	MG RESISTOR		
	D 608	SML-310VT/JK/-X	LED				R 644	NRS181J-0R0X	MG RESISTOR		
	D 609	SML-310VT/JK/-X	LED				R 650	NRSA02J-101X	MG RESISTOR		
	D 610	SML-310VT/JK/-X	LED				R 651	NRSA02J-473X	MG RESISTOR		
	D 611	SML-310VT/JK/-X	LED				R 652	NRSA02J-473X	MG RESISTOR		
	D 612	SML-310VT/JK/-X	LED				R 653	NRS181J-102X	MG RESISTOR		
	D 613	SML-310VT/JK/-X	LED				R 654	NRSA02J-221X	MG RESISTOR		
	D 614	SML-310VT/JK/-X	LED				R 655	NRSA02J-394X	MG RESISTOR		
	D 615	SML-310VT/JK/-X	LED				R 656	NRSA02J-334X	MG RESISTOR		
	D 616	SML-310VT/JK/-X	LED				R 657	NRSA02J-103X	MG RESISTOR		
	D 617	SML-310VT/JK/-X	LED				R 658	NRSA02J-470X	MG RESISTOR		
	D 618	SML-310VT/JK/-X	LED				R 661	NRSA02J-332X	MG RESISTOR		
	D 619	SML-310VT/JK/-X	LED				R 662	NRSA02J-332X	MG RESISTOR		
	D 620	SML-310VT/JK/-X	LED				R 663	NRSA02J-332X	MG RESISTOR		
	D 621	SML-310VT/JK/-X	LED				R 669	NRSA02J-103X	MG RESISTOR		
	D 622	SML-310VT/JK/-X	LED				R 670	NRSA02J-103X	MG RESISTOR		
	D 623	SML-310VT/JK/-X	LED				R 671	NRSA02J-103X	MG RESISTOR		
	D 624	SML-310VT/JK/-X	LED				S 601	NSW0066-001X	TACT SWITCH		
	D 625	SML-310VT/JK/-X	LED				S 602	NSW0066-001X	TACT SWITCH		
	D 626	SML-310VT/JK/-X	LED				S 603	NSW0066-001X	TACT SWITCH		
	D 627	SML-310VT/JK/-X	LED				S 604	NSW0066-001X	TACT SWITCH		
	D 641	SLA-360JT3F	LED				S 605	NSW0066-001X	TACT SWITCH		
	D 642	SLA-360JT3F	LED				S 606	NSW0066-001X	TACT SWITCH		
	D 643	SLA-360JT3F	LED				S 607	NSW0066-001X	TACT SWITCH		
	D 651	MA3051/M/-X	ZENER DIODE				S 608	NSW0066-001X	TACT SWITCH		
	D 652	MA152WK-X	SI DIODE				S 609	NSW0066-001X	TACT SWITCH		
	D 653	MA152WA-X	DIODE				S 610	NSW0066-001X	TACT SWITCH		
	D 654	MA152WK-X	SI DIODE				S 611	NSW0066-001X	TACT SWITCH		
	D 655	MA152WA-X	DIODE				S 612	NSW0066-001X	TACT SWITCH		
	D 656	MA152WK-X	SI DIODE				S 613	NSW0066-001X	TACT SWITCH		
	D 657	MA3056/M/-X	ZENER DIODE				S 614	NSW0066-001X	TACT SWITCH		
	EN601	QSW0863-001	JOG SHUTTLE SW.				S 615	NSW0066-001X	TACT SWITCH		
	IC601	LC75873NW	IC				S 616	NSW0066-001X	TACT SWITCH		
	IC602	RPM6938-SV4	IC				S 617	NSW0066-001X	TACT SWITCH		
	R 601	NRSA02J-561X	MG RESISTOR				S 618	NSW0066-001X	TACT SWITCH		
	R 602	NRSA02J-821X	MG RESISTOR				S 619	NSW0066-001X	TACT SWITCH		
	R 603	NRSA02J-122X	MG RESISTOR								
	R 604	NRSA02J-182X	MG RESISTOR								
	R 605	NRSA02J-272X	MG RESISTOR								
	R 606	NRS181J-561X	MG RESISTOR								
	R 607	NRSA02J-821X	MG RESISTOR								
	R 608	NRSA02J-122X	MG RESISTOR								
	R 609	NRSA02J-182X	MG RESISTOR								
	R 610	NRSA02J-272X	MG RESISTOR								
	R 611	NRSA02J-392X	MG RESISTOR								
	R 612	NRSA02J-561X	MG RESISTOR								
	R 613	NRSA02J-821X	MG RESISTOR								
	R 614	NRSA02J-122X	MG RESISTOR								
	R 615	NRSA02J-182X	MG RESISTOR								
	R 616	NRSA02J-272X	MG RESISTOR								

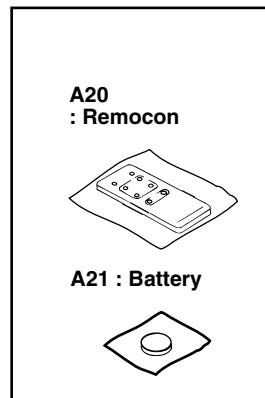
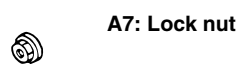
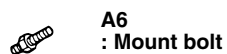
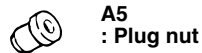
Packing materials and accessories parts list

Block No. M 3 M M

Block No. M 4 M M



SCREW KIT 1



Parts list(Packing)

Block No. M3MM

△	Item	Parts number	Parts name	Q'ty	Description	Area
	P 1	FSPE3004-091	CARTON	1		
	P 2	FSPH1018-002	PAPER CUSHION	2		
	P 3	VPE3005-064	POLY BAG	1	SET	
	P 4	FSPG4002-001	POLY BAG	2	INSTRUCTION	
	P 5	QPA00801205	POLY BAG	1	SCREW KIT 1	

Parts list(Accessories)

Block No. M4MM

△	Item	Parts number	Parts name	Q'ty	Description	Area
	A 1	FSUN3113-313	INSTRUCTION	1		
		FSUN3113-323	INSTRUCTION	1		
	A 2	FSUN3113-T212	INSTALL MANUAL	1		
		FSUN3113-T452	INSTALL MANUAL	1		
		FSUN3113-T482	INSTALL MANUAL	1		
	A 3	BT-54013-1	WARRANTY CARD	1		
	A 5	VKZ4027-202	PLUG NUT	1		
	A 6	VKH4871-001SS	MOUNT BOLT	1		
	A 7	VKZ4328-001	LOCK NUT	1		
	A 8	WNS5000Z	WASHER	1		
	A 9	FSKL4010-002	HOOK	2		
	A 10	LV40978-001A	CAUTION SHEET	1		
	A 11	VND3050-002	IDENTITY CARD	1		
	A 12	FSJB3001-30C	HARD CASE	1		
	A 13	FSKM2004-202	MOUNTING SLEEVE	1		
	A 14	QAM0175-001	POWER CORD	1	JEIN NUMBER	
	A 16	FSJD2034-001	TRIM PLATE	1		
	A 18	VND3046-001	SERIAL TICKET	1		
	A 20	RM-RK31	REMOCON	1		
	A 21	-----	BATTERY	1		
	KIT 1	KDGS717K-SCREW1	SCREW PARTS KIT	1	A5-A9	